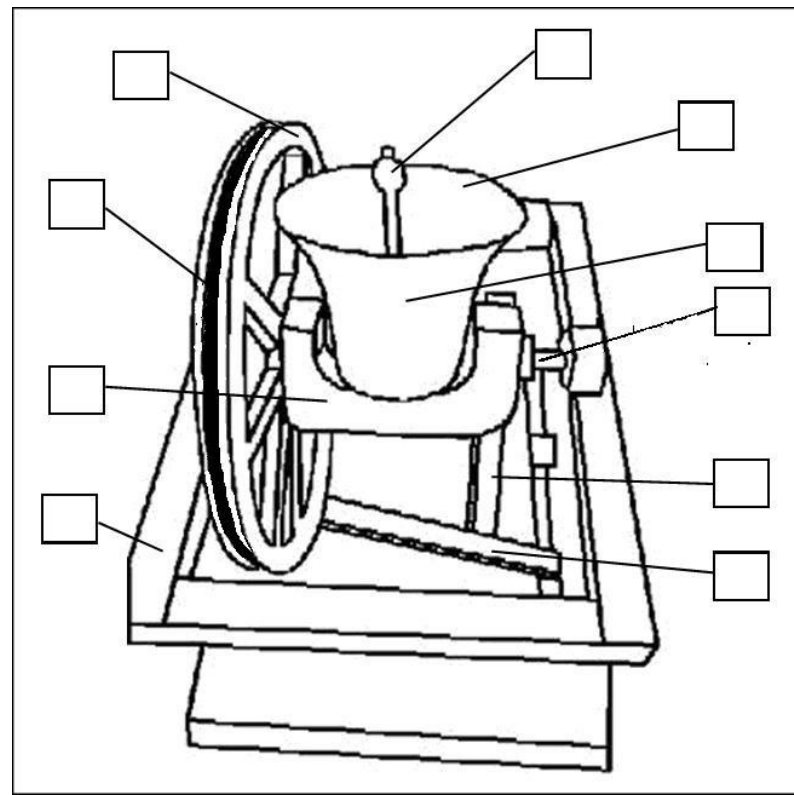


Match these names to numbers in the diagram above (excluding 9 and 10) Then find them in the word search.

- 1 Bell 2 clapper 3 headstock 4 gudgeon
- 5 stay 6 slider 7 wheel 8 rope
- 9 garter hole 10 pulley box 11 frame 12 soundbow

P	S	O	U	B	O	N	D	E	B	G	F
U	H	X	O	P	E	M	P	A	S	A	R
L	B	E	L	L	X	O	G	A	L	R	T
L	U	L	A	L	R	Y	G	H	I	T	E
E	W	O	R	D	P	E	O	Y	D	E	C
Y	N	H	E	E	S	L	A	S	E	R	L
B	O	F	L	L	T	T	D	L	R	H	A
O	E	F	E	O	S	L	O	I	C	O	P
X	G	R	E	P	P	A	L	C	O	L	H
B	D	A	H	C	H	I	P	F	K	E	E
E	U	M	W	O	E	G	S	U	G	D	A
L	G	E	F	S	O	U	N	D	B	O	W



Match these names to numbers in the diagram above (excluding 9 and 10) Then find them in the word search.

- 1 Bell 2 clapper 3 headstock 4 gudgeon
- 5 stay 6 slider 7 wheel 8 rope
- 9 garter hole 10 pulley box 11 frame 12 soundbow

P	S	O	U	B	O	N	D	E	B	G	F
U	H	X	O	P	E	M	P	A	S	A	R
L	B	E	L	L	X	O	G	A	L	R	T
L	U	L	A	L	R	Y	G	H	I	T	E
E	W	O	R	D	P	E	O	Y	D	E	C
Y	N	H	E	E	S	L	A	S	E	R	L
B	O	F	L	L	T	T	D	L	R	H	A
O	E	F	E	O	S	L	O	I	C	O	P
X	G	R	E	P	P	A	L	C	O	L	H
B	D	A	H	C	H	I	P	F	K	E	E
E	U	M	W	O	E	G	S	U	G	D	A
L	G	E	F	S	O	U	N	D	B	O	W